



EXHAUSTER



CE

DESIGNED FOR INDUSTRIAL USE, IT IS USED FOR THE EXTRACTION OF METAL DUST FROM GRINDING, DEBURRING AND POLISHING OPERATIONS.

Accessories included:

- Fixing plate
- Suction hoses
- Collecting bag

On request:

- Single-phase motor

 **STEFANI** s.r.l.

Via Villorosi 71 - 20029 Turbigo MI

P.IVA e C.F. 11336420150



Tel. +39.0331.899144

Fax +39.0331.890178

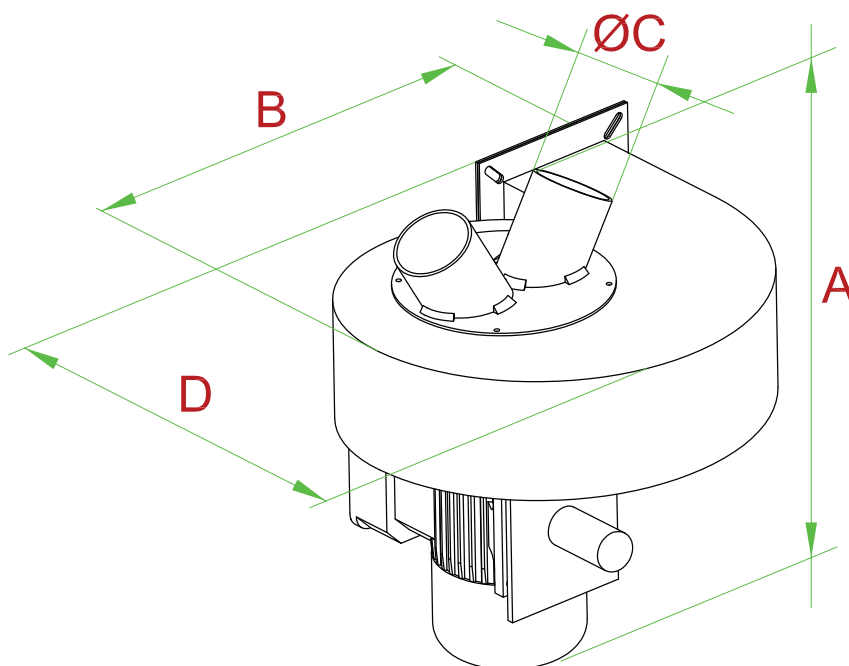
info@stefanisrl.it - www.stefanisrl.it

EXHAUSTER

EXHAUSTER TECHNICAL DATA

MODEL							
	Hp	Kw		rpm	Suction pipe mm	M3/h	
ASPO.25/35	0,25	0,18	3-phase – 50 Hz	3000	35	420	10
ASPO.25/60	0,25	0,18	3-phase – 50 Hz	3000	60	420	10
ASPO.25/80	0,25	0,18	3-phase – 50 Hz	3000	80	420	10
ASP.1.5/80	1,5	1,1	3-phase – 50 Hz	3000	80	2.400	25
ASP.1.5/100	1,5	1,1	3-phase – 50 Hz	3000	100	2.400	25

OVERALL DIMENSIONS - EXHAUSTER



TYPE	A mm	B mm	C mm	D mm
ASPO.25/35	285	270	35	220
ASPO.25/60	285	270	60	220
ASPO.25/80	285	270	80	220
ASP.1.5/80	405	400	80	390
ASP.1.5/100	405	400	100	390

Illustrations may include optional accessories. Stefani S.r.l. reserves the right to make changes or improvements without notice.